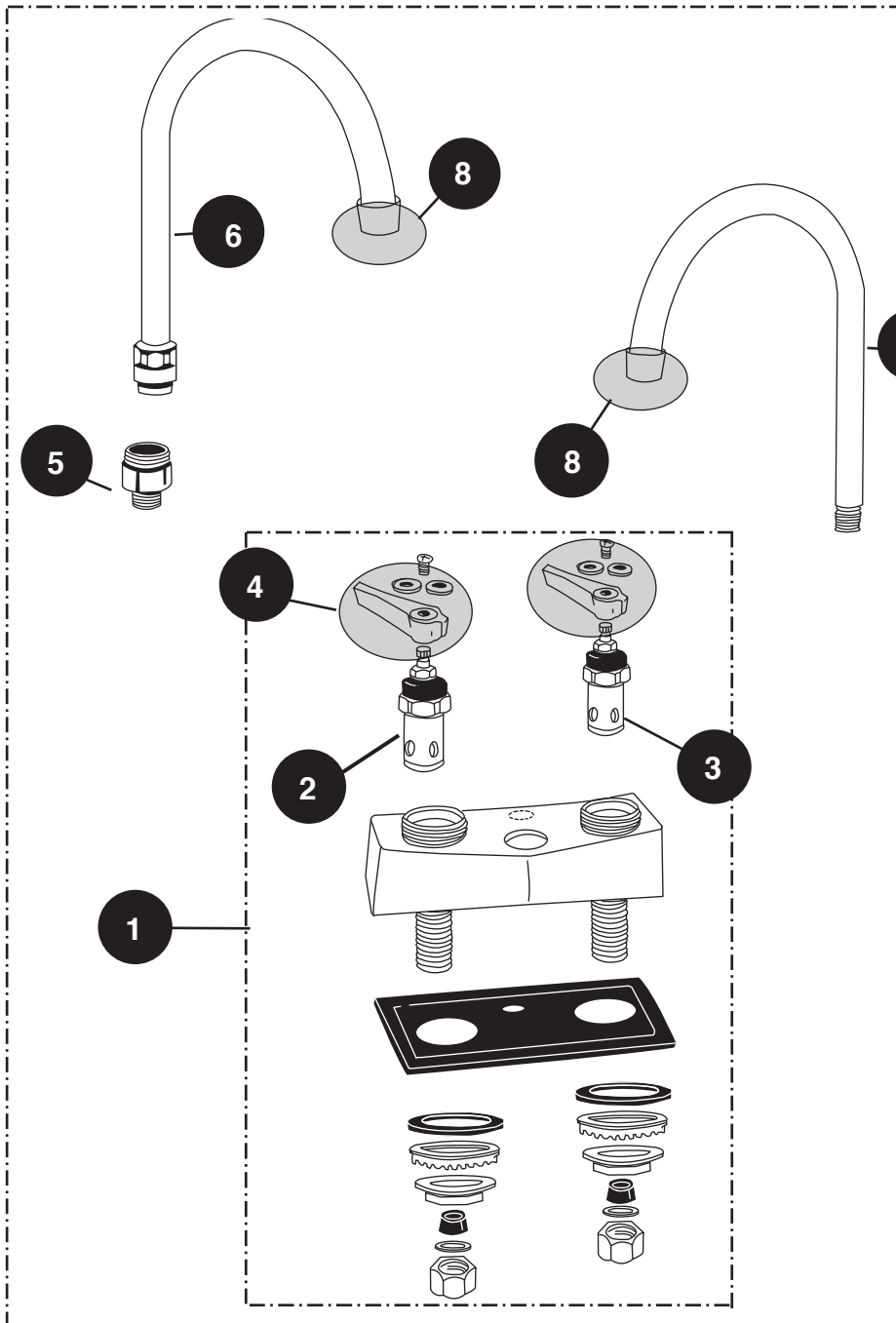


Service Parts Breakdown

KN83-4100-RE1

ITEM NO.	SPOUT MODEL NO.	"A" SPOUT LENGTH	ITEM NO.	FAUCET MODEL NO.
6	KN11-X000	3-1/2" (90mm)	7	KN83-4100-RE1
6	KN11-X001	8-1/2" (215mm)	7	KN83-4101-RE1
6	KN11-X002	6" (150mm)	7	KN83-4102-RE1
WITH RIGID GOOSENECK SPOUTS				
6A	KN11-X100	3-1/2" (90mm)	7	KN83-4100-RE1
6A	KN11-X101	8-1/2" (215mm)	7	KN83-4101-RE1
6A	KN11-X102	6" (150mm)	7	KN83-4102-RE1

LAVATORY FAUCETS MODEL # K83-		
ITEM NO.	MODEL NO.	DESCRIPTION
1	K83-4100-RE1	FAUCET BODY ASS'Y
2	KN50-Y007	HOT VALVE ASS'Y
3	KN50-Y006	COLD VALVE ASS'Y
4	K50-0110	HANDLE REPLACEMENT KIT
5	KN50-X075	RIGID TO SWING ADAPTER*
6	KN11-X0--	GOOSENECK SPOUTS <i>REFER TO SPOUT PART #</i>
7	KN83-41--	DECK MTG FAUCET ASS'Y <i>REFER TO CHART</i>
8	KN50-X120	AERATOR



OPTIONAL AERATORS	
KN50-x201-A	.5 gpm pca spray vandal proof
KN50-X201-F	1.5 gpm max laminar antimicrobial & vandal proof
KN50-X120-A	.5 gpm pca spray
KN50-X120-F	1.5 gpm max laminar antimicrobial
KN50-X120	2.2 gpm max aerated stream
KN50-X201	2.2 gpm max aerated stream
KN50-X201-H	2.2 gpm max aerated stream vandal & hose proof
KN50-X120-S	6.0 gpm max wide rose spray

- K50-0001**
4" Wrist Handle Kit
- K50-0001-6**
6" Wrist Handle Kit
- K50-X117 (1-PAIR)**
Designer Handle Kit
- K50-0111**
Cross Handle Kit